



## Optional Reaction Plates Overview

A variety of steel reaction plates and adaptors, together with ancillary feet, blades and heads to aid their use are available for HandTorque®, EvoTorque® and PneuTorque®.

**HT/PTSTM/PTM-52 Series**

| SKU   | Description                      |
|-------|----------------------------------|
| 18590 | Double Sided Reaction Plate      |
| 18576 | Straight Reaction Plate          |
| 18558 | Reaction Adaptor                 |
| 19186 | Spline Adaptor from 52mm to 72mm |
| 62236 | Reaction Plate Spline Adaptor    |

**HT/PTSTM/PTM-72 Series**

| SKU   | Description                 |
|-------|-----------------------------|
| 18293 | Double Sided Reaction Plate |
| 18292 | Straight Reaction Plate     |
| 18290 | Reaction Adaptor            |

**ET/PTM-119 Series**

| SKU   | Description                 |
|-------|-----------------------------|
| 16687 | Straight Reaction Plate     |
| 18981 | Double Sided Reaction Plate |

**Ancillary Items For Use With 18290 or 18558**

| SKU   | Description  |
|-------|--|
| 18298 | Straight Reaction with Peg                           |
| 18291 | Straight Reaction                                    |
| 18241 | Short Reaction Foot                                  |
| 18358 | Sliding Reaction Blade (to be used with 18291)       |
| 18359 | Sliding Reaction Spigot Head (to be used with 18291) |

### Reaction Weld Rings

| SKU   | Description           |
|-------|-----------------------|
| 18694 | For HT/PTS/PTM-52     |
| 18695 | For HT/ET/PTS/PTM-72  |
| 18696 | For HT/ET/PTS/PTM-92  |
| 18697 | For HT/ET/PTS/PTM-119 |

### Light Weight Reactions

| SKU   | Description                                       |
|-------|---|
| 19214 | PT/PTSTM/PTM-72 API Class 4 Light Weight Reaction |

### Sliding Reactions

| SKU            | Description                         |
|----------------|-------------------------------------|
| 180300.052.B06 | 52mm Ø Sliding Reaction 3/4" SQ.    |
| 180300.072.B06 | 72mm Ø Sliding Reaction 3/4" SQ.    |
| 180300.072.B08 | 72mm Ø Sliding Reaction 1" SQ.      |
| 180300.092.B08 | 92mm Ø Sliding Reaction 1" SQ.      |
| 180300.092.B12 | 92mm Ø Sliding Reaction 1 1/2" SQ.  |
| 180300.119.B12 | 119mm Ø Sliding Reaction 1 1/2" SQ. |

### Splined Reaction for ET/HT/PTSTM/PTM-72 Series

| SKU   | Description                         |
|-------|-------------------------------------|
| 19289 | Steel Cranked Reaction for 72mm     |
| 18494 | Aluminium Cranked Reaction for 72mm |

### Splined Reaction for ET/HT/PTSTM/PTM-92 Series

| SKU   | Description                         |
|-------|-------------------------------------|
| 19291 | Steel Cranked Reaction for 72mm     |
| 18936 | Aluminium Cranked Reaction for 92mm |

**Splined Reaction for ET/HT/PTSTM/PTM-119 Series**

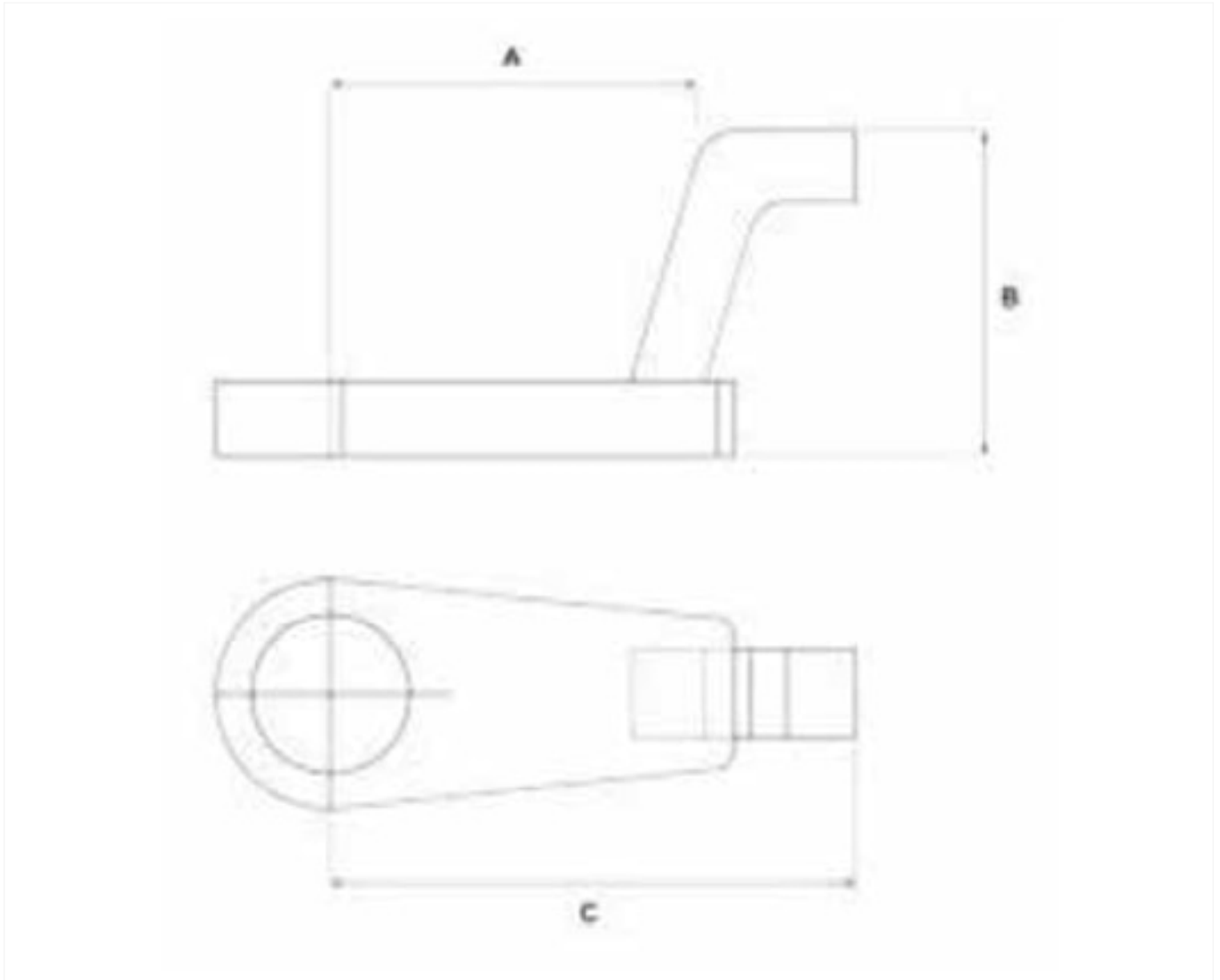
| SKU   | Description                                 |
|-------|---|
| 19291 | Steel Cranked Reaction for 119mm (7000 N·m) |
| 19293 | Aluminium Cranked Reaction for 119mm        |

**Special Splined Reaction for ET/HT/PTSTM/PTM-92 Series**

| SKU   | Description                     |
|-------|---------------------------------|
| 78028 | Steel Cranked Reaction for 92mm |

**Special Splined Reaction for ET/HT/PTSTM/PTM-119 Series**

| SKU   | Description                      |
|-------|----------------------------------|
| 78027 | Steel Cranked Reaction for 119mm |



**Measurements**

| SKU   | A     | B     | C     |
|-------|-------|-------|-------|
| 19289 | 114mm | 100mm | 167mm |
| 18494 | 91mm  | 99mm  | 166mm |
| 19291 | 115mm | 105mm | 175mm |
| 18936 | 115mm | 124mm | 205mm |
| 19293 | 150mm | 128mm | 210mm |
| 18961 | 132mm | 157mm | 199mm |
| 78028 | 57mm  | 115mm | 145mm |

| SKU   | A     | B     | C     |
|-------|-------|-------|-------|
| 78027 | 150mm | 130mm | 250mm |